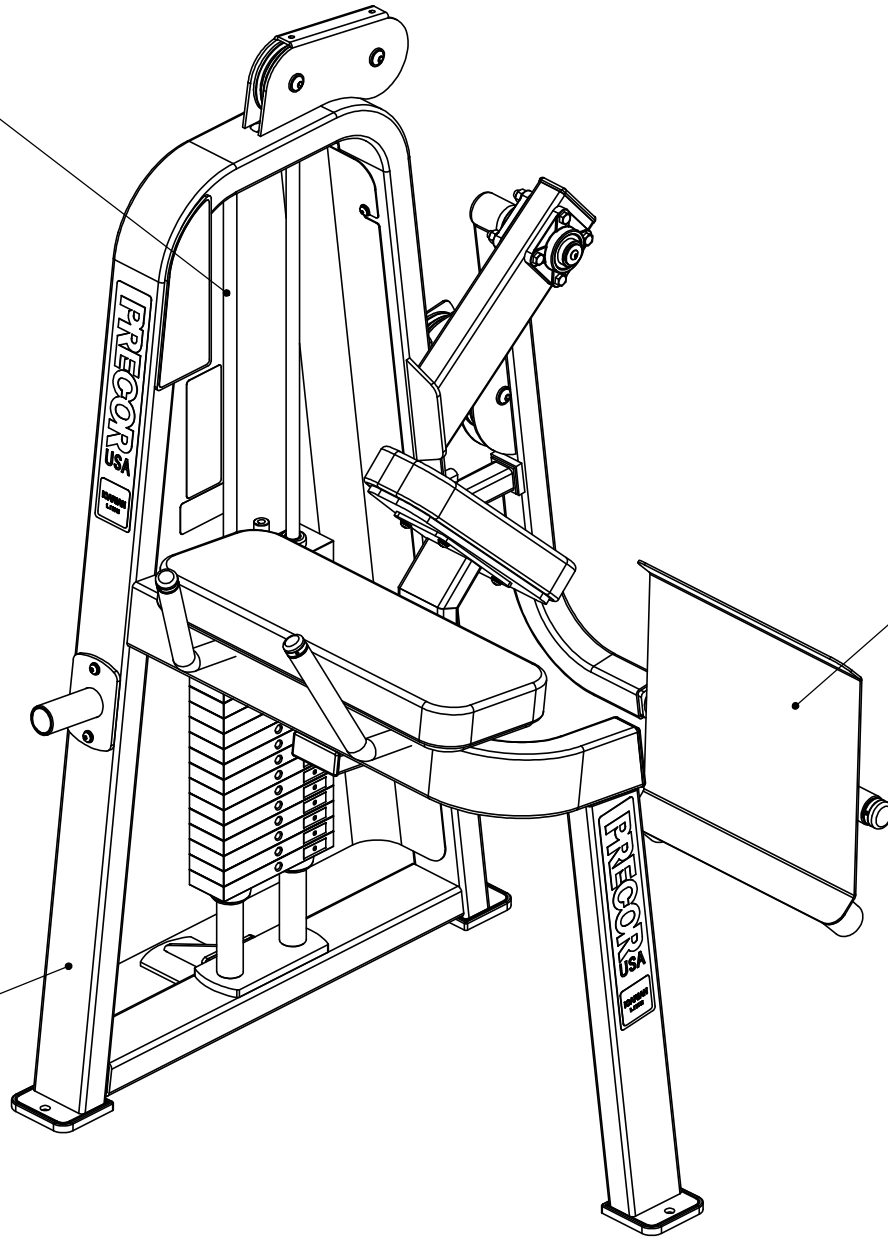


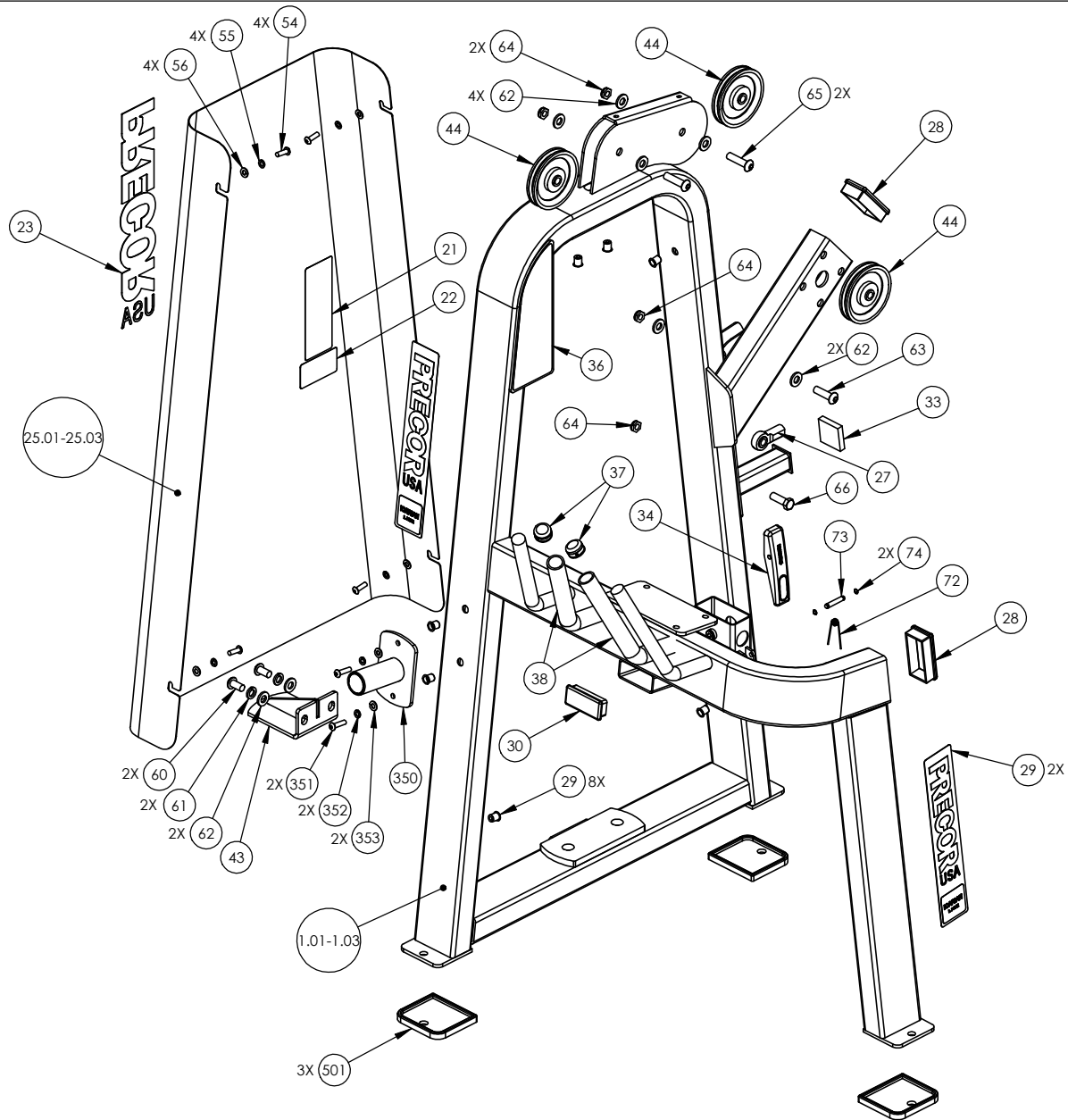
GUIDE RODS/WEIGHTS,  
SHEET 4

FRAME/COMPONENTS,  
SHEET 2

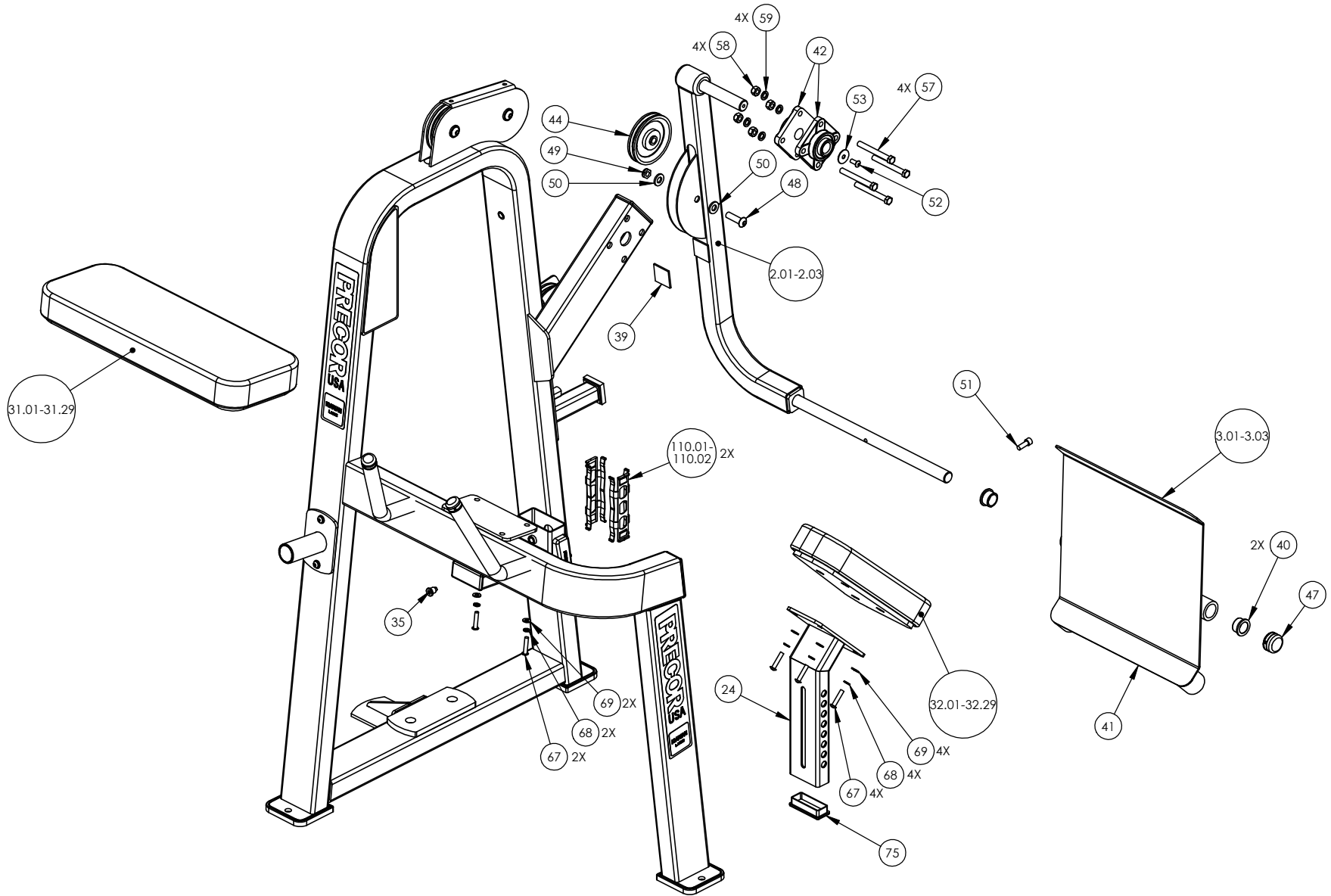
SWING ARM/PADS,  
SHEET 3



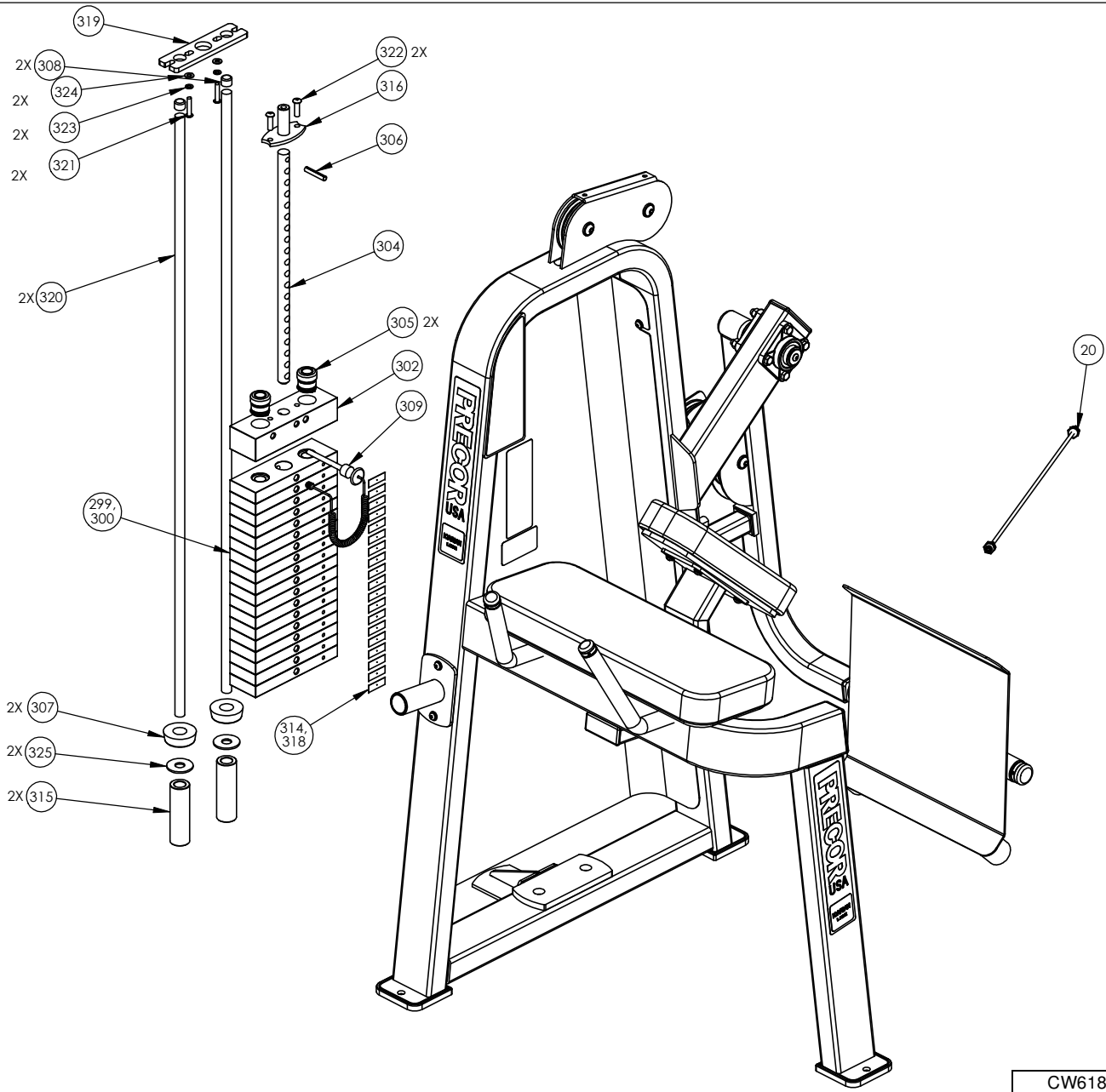
CW618KS	P/N: CW32858-101	SUBREV: C
DRAWN BY: VLE	DATE: 05.12.09	SHEET 1 OF 4



CW618KS	P/N: CW32858-101	SUBREV: C
DRAWN BY: VLE	DATE: 05.12.09	SHEET 2 OF 4



CW618KS	P/N: CW32858-101	SUBREV: C
DRAWN BY: VLE	DATE: 05.12.09	SHEET 3 OF 4



CW618KS	P/N: CW32858-101	SUBREV: C
DRAWN BY: VLE	DATE: 05.12.09	SHEET 4 OF 4

## 618KS Glute

Part Number	Description	Bubble Number
CW32825-211	WELDMENT, FRAME, MAIN, CW618KS, SKY	1.01
CW32825-321	WELDMENT, FRAME, MAIN, CW618KS, TIT	1.03
CW33136-212	ASSY, ARM, CW618KS, SKY WHITE	2.01
CW33136-302	ASSY, ARM, CW618KS, CUSTOM	2.02
CW33136-322	ASSY, ARM, CW618KS, TITANIUM (HG)	2.03
CW33137-781	ASSY, FOOT PLATE, CW618KS, TRACTION	3.01
CW33137-302	ASSY, FOOT PLATE, CW618KS, CUSTOM	3.02
CW33137-322	ASSY, FOOT PLATE, CW618KS, TITANIUM	3.03
CWCLGP083-000	ASSY, CABLE CW618KS	20
CW30010-102	LABEL,WARNING STRENGTH	21
CW30011-102	LABEL,WARNING WEIGHT STACK	22
CW32214-712	ASSEMBLY, CHEST ADJUSTMENT, 45 DEG,	24
CW32091-211	ASSY, SHROUD, #5, SKY WHITE	25.01
CW32091-301	ASSY, SHROUD, #5, CUSTOM	25.02
CW32091-321	ASSY, SHROUD, #5, TITANIUM, HG	25.03
CW11311-102	ENDCAP, REC TUBE, 2X4, BLK PLASTIC	28
CW12537-109	NUT,INSERT,THIN-NUT,LARGE FLANGE	29
CW12633-101	ENDCAP, REC TUBE, LDP, 1 1/2 X 3 1	30
CWPD1104B-101	PAD,9X24,4HOLES,W/BP,BLACK	31.01
CWPD1207B-101	PAD,5X9X14.5,4HOLES,W/BP,BLACK	32.01
CW30014-203	CUT PIECE, CREPE, 3/8 THICK, 2.00 X	33
CW32460-221	ASSY, RATCHETING LEVER, BLACK	34
CW31784-731	STOP PLUG, BLK ZN	35
CW33377-101	ASSY, PLACARD, 618KS	36
CWAC218-901	HANDLE END CAP W/SET SCREWS, DIA 1"	37
CWGR4613-750	GRIP, RUBBER, 1.00" OD HANDLE, 13.7	38
CW10433-110	BUSHING,FLNGD,1.25ODX1IDX.75,IGUS R	40
CW12405-101	PILLOW BLOCK, BEARING, FLANGE, 4 BO	42
CW33286-731	WELDMENT, STABILITY FOOT,BLACK ZINC	43
CWAC1009-101	PULLEY, 4 1/2 DIA X 1/2 ID	44
CWAC222-901	ASSY, SHAFT END CAP W/SET SCREWS, D	47
CWHCYN050-175	SCREW, HEX HEAD, BLK XYLAN, 1/2-13	48
CWKAYN050-031	LOCKNUT, NYLON INSERT, HALF, UNC, 1	49
CWWALYN050-013	WASHER, SPLIT, 1/2 ID, BLK XYLAN	50
CWCAYN038-100	SCREW, SOCKET HEAD, BLK XYLAN, 3/8	51
CWTAYN031-050	SCREW, BUTTON HEAD, BLK XYLAN, 5/16	52
CWWABKN031-007	WASHER, FENDER,BLK ZN, 5/16 ID X 1	53
CWTAYN031-100	SCREW, BUTTON HEAD, BLK XYLAN, 5/16	54
CWWALYN031-008	WASHER, SPLIT, 5/16 ID, BL	55
CWWBKN031-007	WASHER, FLAT, TYPE A, SAE, 5/16 ID	56
CWHCYN044-375	SCREW, HEX HEAD, BLK XYLAN, 7/16-	57
CWKMYN044-038	NUT, HEX, UNC, 7/16-14, BLK XYLAN	58
CWWALYN044-011	WASHER, SPLIT, 7/16 ID, BLK XYLAN	59
CWTAYN050-100	SCREW, BUTTON HEAD, BLK XYLAN, 1/2	60
CWWALYN050-013	WASHER, SPLIT, 1/2 ID, BLK XYLAN	61
CWWBKN050-010	WASHER, FLAT, TYPE A, SAE, 1/2 ID X	62
CWTAYN050-175	SCREW, BUTTON HEAD, BLK XYLAN, 1/2	63
CWKAYN050-031	LOCKNUT, NYLON INSERT, HALF, UNC, 1	64

CWTAYN050-200	SCREW, BUTTON HEAD, BLK XYLAN, 1/2	65
CWHCYN050-150	SCREW, HEX HEAD, BLK XYLAN, 1/2-13	66
CWTAYN031-150	SCREW, BUTTON HEAD, BLK XYLAN, 5/16	67
CWWALYN031-008	WASHER, SPLIT, 5/16 ID, BL	68
CWWBKN031-007	WASHER, FLAT, TYPE A, SAE, 5/16 ID	69
CW12634-101	SPRING, TORSION 90 DEG X 0.484 X 0.	72
CW31770-742	LATCH PIVOTING PIN, CLR ZN	73
CWAMNN028-003	RING, RETAINING, 2-TURN, SPIRAL, SS	74
CW33626-901	GUIDE, THIN, TELESCOPING TUBE	110.01
CW33626-902	GUIDE, THCK, TELESCOPING TUBE	110.02
CWAC1133-101	BUSHING, WEIGHT PLATE, LDPE PLASTIC	203
CW30171-741	PIN, WEIGHT STACK, 4.00 INCHES, ZN	225
CW10505-721	ASSY, PLATE, WEIGHT, 05 LBS, WRKL B	299
CW10510-721	ASSY, PLATE, WEIGHT, 10 LBS, WRKL B	300
CW10540-722	PLATE, WEIGHT, SMALLTOP (STP-T), 10	302
CW30132-712	SELECTOR STEM, 20 PLATE,0.875 DIA,	304
CW30184-901	ASSY,BARREL,TOP PLATE,ALUMINUM,SHRT	305
CW30184-902	ASSY,BARREL,TOP PLATE,ALUMINUM,TALL	305
CWLDNN038-200	SLOTTED PIN SPRING, DIA 3/8 X 2	306
CW12402-101	BUMPER, ID 1.050, BLK RUBBER	307
CW12404-101	CAP, GUIDE ROD,DIA 3/4, BLK	308
CW32931-101	WEIGHT STACK LABELS, 10-100, STRAIG	314
CW33323-721	STACK RISER, 5 INCH, WRINKLE BLACK	315
CW32663-741	WELDMENT, BOLT ON TOP PLATE MINI ST	316
CW32933-101	WEIGHT STACK LABELS, 10-150, STAGGE	318
CWPF1016-732	BAR,,FLAT CR/HR, 3/8 X 2 X 8 1/4, 3	319
CWPF1214-711	GUIDE ROD,STEEL,OD 3/4 X 52 5/8, CH	320
CWTAYN031-150	SCREW, BUTTON HEAD, BLK XYLAN, 5/16	321
CWTAYN038-125	SCREW, BUTTON HEAD, BLK XYLAN, 3/8	322
CWWALYN031-008	WASHER, SPLIT, 5/16 ID, BL	323
CWWBKN031-007	WASHER, FLAT, TYPE A, SAE, 5/16 ID	324
CWWCKN075-015	WASHER, FLAT, TYPE A, WIDE, 3/4 ID	325
CW32933-101	WEIGHT STACK LABELS, 10-150, STAGGE	328
CW32933-101	WEIGHT STACK LABELS, 10-150, STAGGE	333
CW31772-741	ASSY, ADD-ON WEIGHT HORN, CLEAR ZIN	350
CWTAYN031-150	SCREW, BUTTON HEAD, BLK XYLAN, 5/16	351
CWWALYN031-008	WASHER, SPLIT, 5/16 ID, BL	352
CWWBKN031-007	WASHER, FLAT, TYPE A, SAE, 5/16 ID	353
CWAC1177-101	FLOOR PROTECTOR, RUBBER, 4.563 X 4.	501
CW58004-101	WEIGHT STACK BUSHING KIT, KS SERIES	600
CW32537-102	LITERATURE KIT, GSM ONLY	999